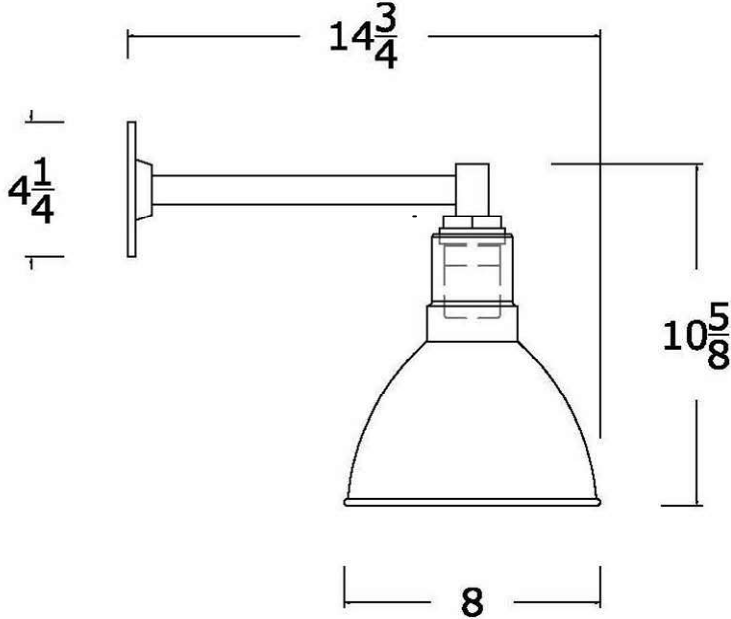




AGB111-AD8-ACN004A



- AD8-100W Incandescent
- AD8-15W LED
- AD8-30W LED

COVER NUT. Die cast aluminum with 1/2" N.P.T. or 3/4" N.P.T. accepts conduit pipe or cord strain relief.
SOCKET. Two-piece heavy duty ceramic medium base socket.
SHADE. Heavy gauge cold rolled steel and coated with genuine powder or electro plating. Galvanized finish is hot zinc dip. (Also available in solid copper)

ACCESSORIES AND OTHER OPTIONS

- Wire guard, globe & guard
- 18W- 32W Fluorescent 120V (ballast mounted inside the neck, globe option is required for outdoor use)
- 35 to 100W High pressure sodium (remote ballast, globe option is required for outdoor use)
- 50 to 100W Metal halide (remote ballast, globe option is required or use MP rated lamp for open fixture)
- 15W LED 120-277V

FINISHES

- 0=white, 1=black,
- 2=blue, 3=green,
- 4=dark bronze, 5=yellow,
- 6=red, 8=galvanized,
- 10=unfinish, 11=sa copper,
- 12=satin aluminum, 15=painted
- 20=sld copper & 21=sld brass



MUST BE INSTALLED BY A QUALIFIED ELECTRICIAN
 ETL LISTED FOR WET LOCATION

