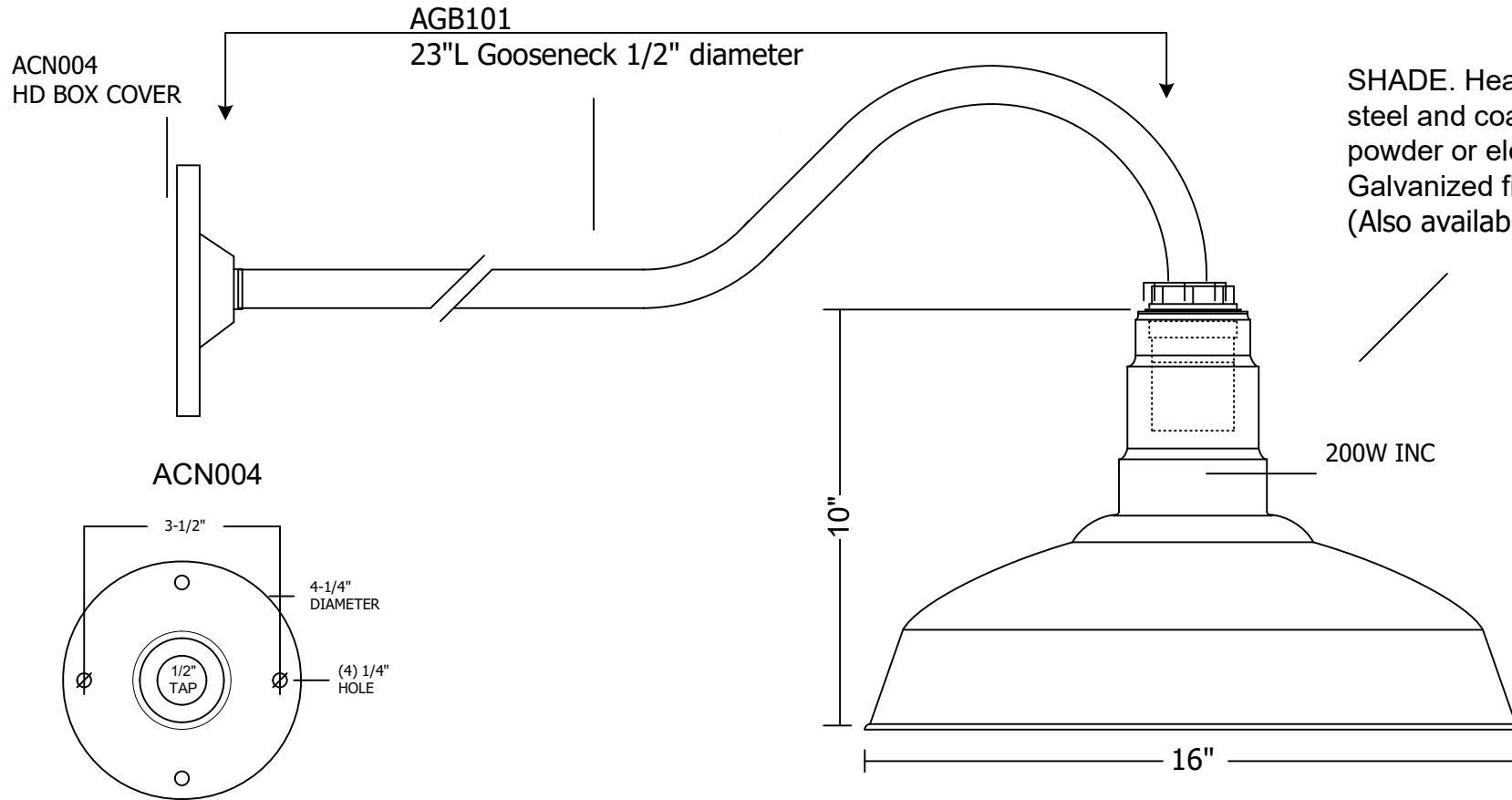




AGB101-AS16-ACN004

L I G H T I N G

16" STANDARD DOME, 29"L GOOSENECK WITH HD BOX COVER, 200W INCANDESCENT



SHADE. Heavy gauge cold rolled steel and coated with genuine powder or electro plating. Galvanized finish is hot zinc dip. (Also available in solid copper)

FINISHES
0=white, 1=black, 2=blue, 3=green, 4=dark bronze, 5=yellow, 6=red,
8=galvanized, 10=unfinish, 11=sa copper, 12=satin aluminum, 15=painted
20=slid copper & 21=slid brass

MUST BE INSTALLED BY A QUALIFIED ELECTRICIAN

ETL LISTED FOR WET LOCATION

